

## FEATURES

- 134 measurements
- 12 energy meters
- Comprehensive average and min/max value functions
- Total Harmonic Distortion (THD) analysis
- Asymmetric voltage and zero-displacement voltage
- 2 pulse/relay outputs can be used for limit alarms or energy pulse outputs
- MM/COM Extension modules extend the functionality of the A230/230S including options for RS232/RS485 with Modbus and data memory, the addition of analog outputs (2), or Ethernet communication.

**5 YEAR WARRANTY**



These measurements form the basis for the comprehensive analysis and assessment of the electrical system in all 4 quadrants.

## DESCRIPTION

The A230 or A230S Power Meter measures and displays the voltage, current, power, and energy quantities in single-phase or three-phase power systems. The meter's multifunction capability replaces a large number of analog measurement and display devices.

A high-contrast LED display in a compact, panel-mount package provides low-cost, high-visibility control panel monitoring. The basic instrument provides up to 266 measurements combinations that can be displayed on three 4-digit LED displays.

MM/COM modules for the A230 and A230S extend the instrument's functionality by adding communication options, analog outputs, and data memory. Add the A200plus PC application software for easy meter programming and remote data access at no additional cost.

## SPECIFICATIONS

### INPUT

Voltage .....	Nominal 500V <sub>LL</sub> 290V <sub>LN</sub>
Over-range .....	Nominal +20%
Current .....	A230/A230S-001 & 002 ..... Nominal 5A
	A230/A230S-003 & 004 ..... Nominal 1A
Over-range .....	Nominal +20%
Overload .....	2X Nominal Continuous
Frequency .....	45-65 Hz

### ACCURACY (% of Nominal)

Current .....	±0.2%
Voltage .....	±0.2%
Power .....	±0.5%
Frequency .....	±0.02Hz
Energy .....	±0.5%
Response Time .....	400ms

### MM/COM MODULES (Options)

MM/COM201 .....	Modbus RTU, Data Memory, RS-232/485
MM/COM202 .....	Two Analog Outputs
MM/COM203 .....	Ethernet, Real Time Clock, Data Memory

### INSTRUMENT POWER

A230/230S-001& 003 .....	85-253Vac/dc, 45-400Hz
A230/230S-002 & 004 .....	20-70Vac/dc, 45-400Hz

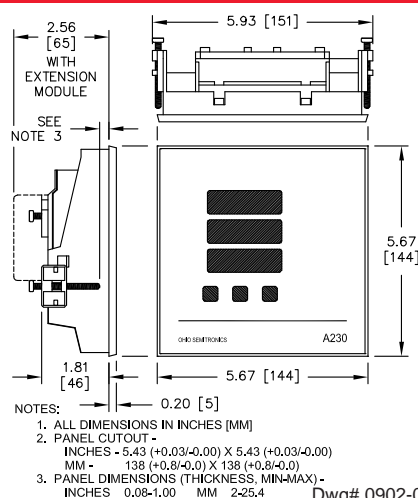
### MECHANICAL

Dimensions .....	A230 ..... 5.7" X 5.7" X 1.8"
	A230S ..... 3.8" X 3.8" X 1.8"
Optional MM/COM .....	extends depth to 2.6"
Panel Cutout ...	A230 ..... 5.4" X 5.4"
	A230S ..... 3.6" X 3.6"
Net Weight .....	A230 ..... 10.6oz
	A230S ..... 7.0oz

### ENVIRONMENTAL

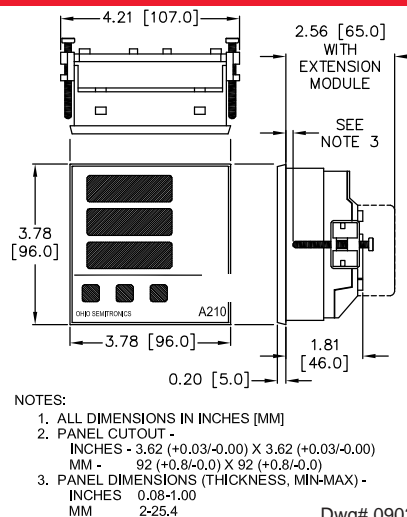
Operating Temperature .....	-10°C to +55°C
Storage Temperature .....	-25°C to +70°C

## DIMENSIONS A230



Dwg# 0902-00661-B Rev --

## DIMENSIONS A230S



Dwg# 0902-00594-B Rev --